



Ultrasonic Level Transmitter



INTRODUCTION

The ultrasonic level transmitter is a non-contact, low-cost and easy-to-install measuring device. It can be applied to most industrial applications for liquids. Most important aspect of is that it is easy-to-install and low maintenance due to no moving parts.

WORKING PRINCIPLE

During operation, the device emits a wave to the medium to be measured. The wave reflects off the surface and moves back to the device where a transducer calculates the distance. The distance is based on the time interval between transmission and reception of the wave. $D = (334.1 + 0.6t) \times T/2$, where the D = the transmission distance; t = temperature; and T = transmission time.

With 4~20mA output, it can be connected to the PLC, DSC and SCADA systems. In addition, it is also equipped with exclusive PULSE and AGC (Auto Gain Control) echo tracking technology to ensure accuracy and precision even in the harshest environments.

FEATURES

- 4~20mA 2 wire output (Fully isolated) with HART
- 7~30Vdc power supply
- IP67 protection casing
- Transducer material: PVDF
- False echo detection
- Internal temperature compensation.
- Beam angle: 7°
- Not affected by liquid temperature, S.G, viscosity
- Maximum range to 12 meters(40 ft).

MAIN FUNCTIONS

- Level measurement
- Object distance measurement

COMPACT DESIGN

Compact size: equipped with 4 push buttons, Multi-parameters modes and a LCD display.

USER FRIENDLY OPERATION

Can be configured for Imperial or Metric system units.

RAPID RESPONSE

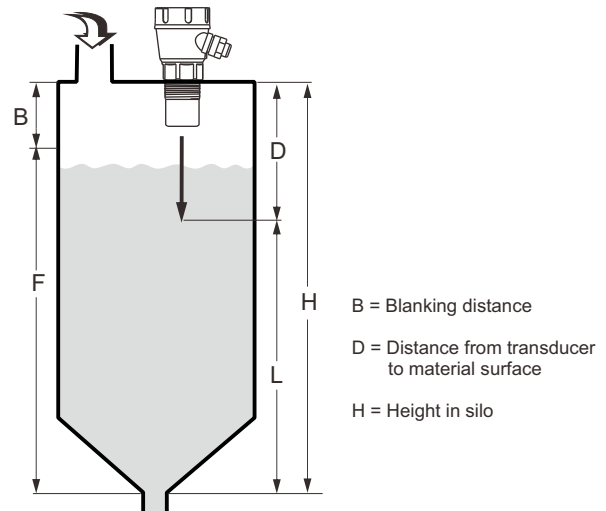
It can detect level moving up to 10m/min making it one of the industry's quickest.

EXTENSIVE APPLICATIONS

The PVDF transducer is ideal for use in corrosive applications.

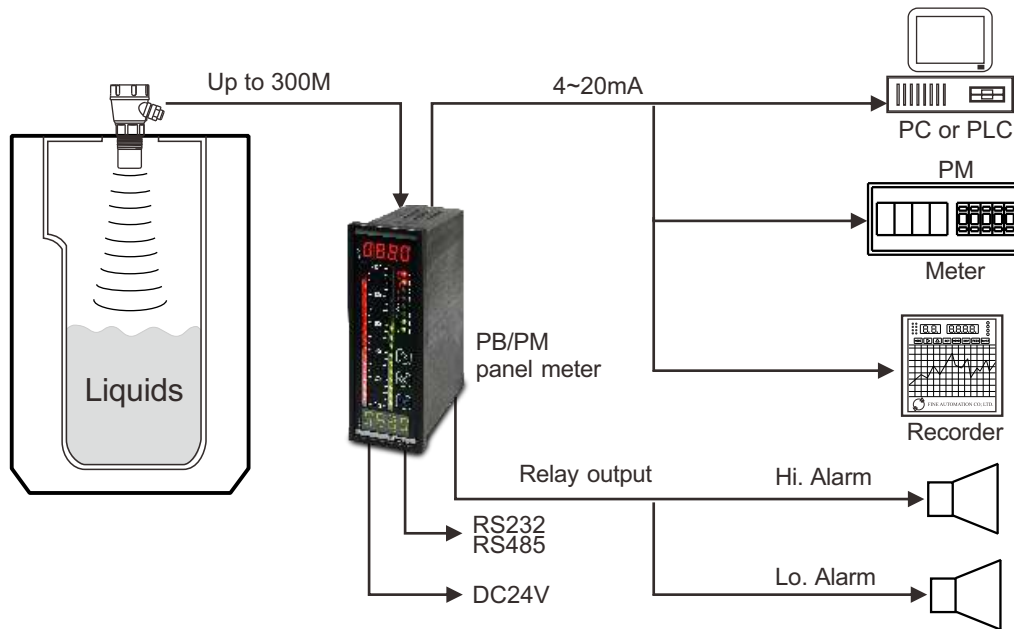
FALSE ECHO

Selectable FER function which enables the instrument to identify obstructions within the path of the ultrasonic beam, memorizes their position and ignores them during the measuring process.

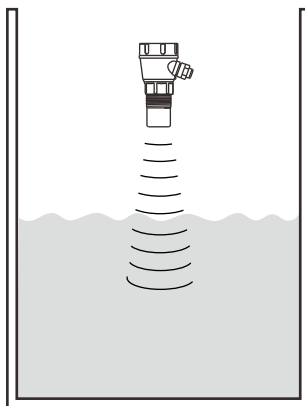


APPLICATIONS

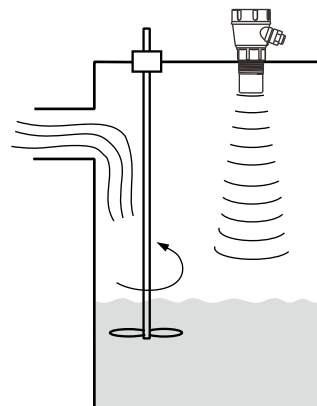
1. Water or waste water treatment equipment: pumps, open channels, dams and wells.
2. Edible-oils, sauces and beverages.
3. Chemicals: paints, carbons, water, crude oil, epoxy resin, lime slurry and wax.
4. Diesel, Petrochemicals, alcohols, solvents etc.



Liquid measurement



Silo with rotational aiming kit

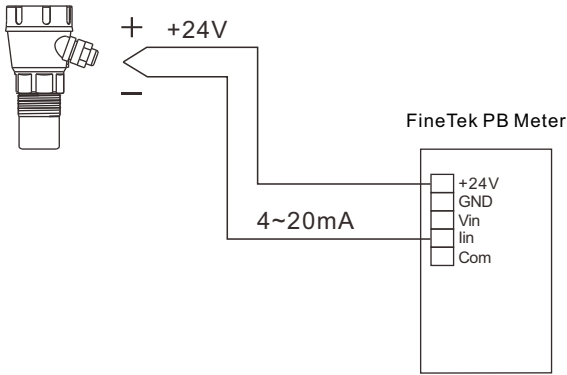


SPECIFICATIONS

Frequency	50 kHz
Operating Voltage	7 - 30VDC at the terminal (residual ripple no greater than 100mV)
Power Consumption	500mW @ 24VDC
Analog Output	4-20mA modulating output module with HART (Recommended 250 Ohm @ 24VDC)
Analog Resolution	14 bits
Communications	4-20mA with HART
Blanking Distance	250 mm (10 inch)
Maximum Range	12 metres (-40~60°C)
	8 metres (-40~70°C)
Resolution	1 mm (0.04")
Electronic Accuracy	+ / - 0.25% of maximum range
Operating Temperature	- 40°C~70°C
	LCD temperature : - 40°C~60°C
Maximum Operating Pressure	- 0.5 to 3 bar
Beam Angle	7°
Materials	Transducer: PVDF Housing: Powder coated aluminium
Display	4 line graphic display
Keypad	4 keys = CAL, RUN, UP, DOWN
Memory	>10 years data retention
Enclosure Sealing	IP67
Cable Entries	M20 cable glands
Mounting	2" BSPT Thread 2" NPT Thread
Typical Weight	1kg (2.2 pounds)

INSTALLATION

2-wires (power supplied by panel meter)



The ultrasonic transducer is mounted to the flange of the extension nozzle of the tank. Please refer to the instruction below:

Length for dead band:

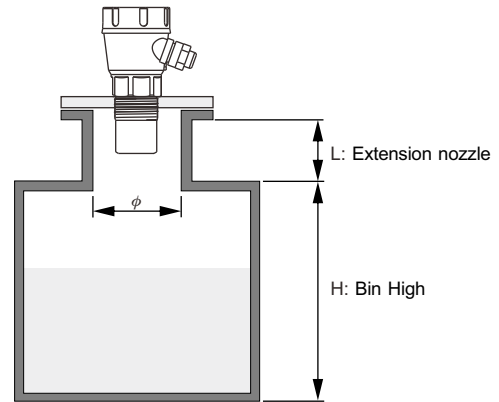
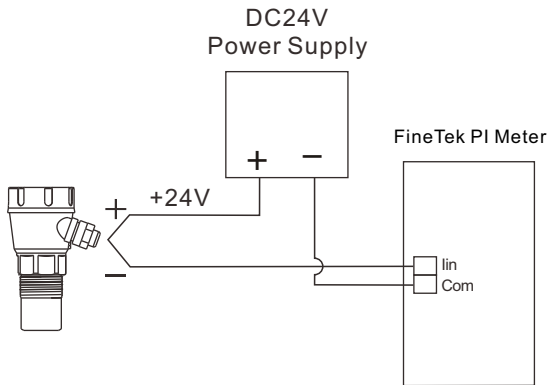
Dead band has to be 150mm over extension nozzle .
Dead band needs to be set as 500mm if extension nozzle is shorter than 500mm.

Extension length:

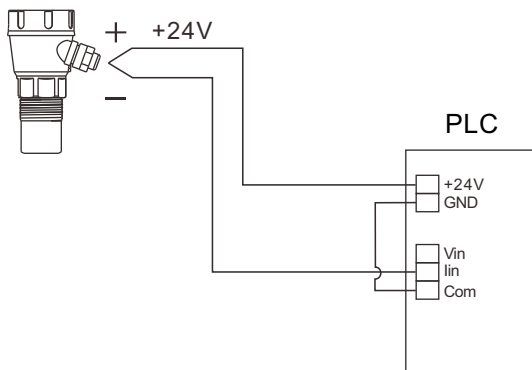
Please refer to below table and choose the suitable probe

Flange size	Diameter of extension nozzle (ϕ)Min	Diameter of extension nozzle (Max)
3"	75mm	300mm
4"	100mm	300mm
6"	150mm	400mm
8"	200mm	600mm
12"	300mm	600mm

2-wires power supply (external)

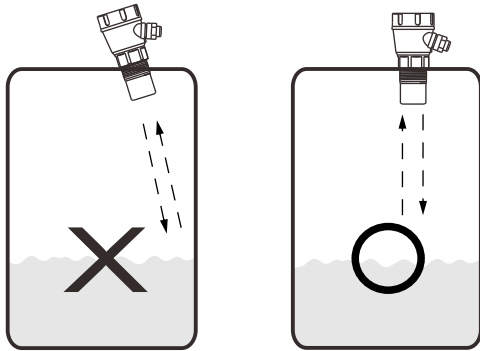


4-wire (PLC)

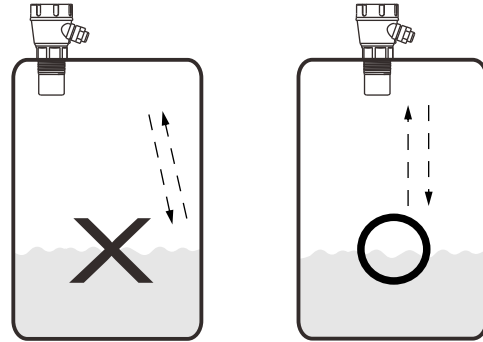


CAUTION BEFORE INSTALLATION

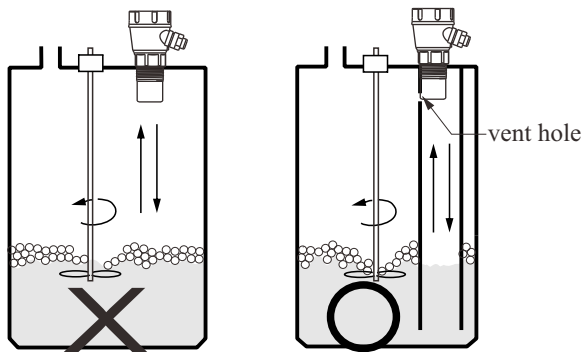
Keep the transducer perpendicular to the liquid surface.



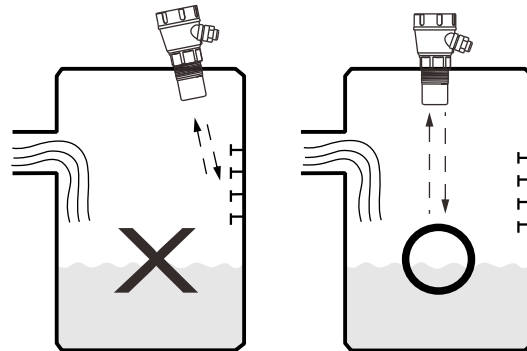
The transducer should not be mounted too close to the tank wall to avoid interference.



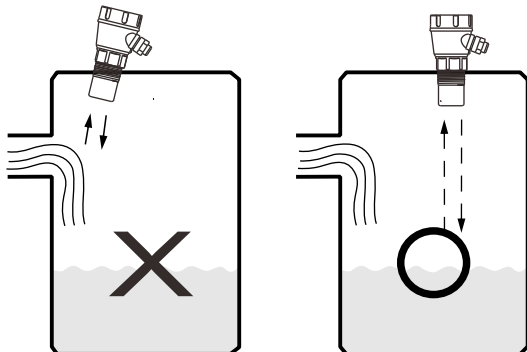
A pipe surrounding the detection path along the ultrasonic wave from emitting to receiving is Recommended. Installation can prevent false signals caused by turbulence and foam when an agitator is present. When the pipe is installed, a vent hole is required to balance the pressure difference between the inside and outside of the pipe...



Do not mount the device close to the tank wall.



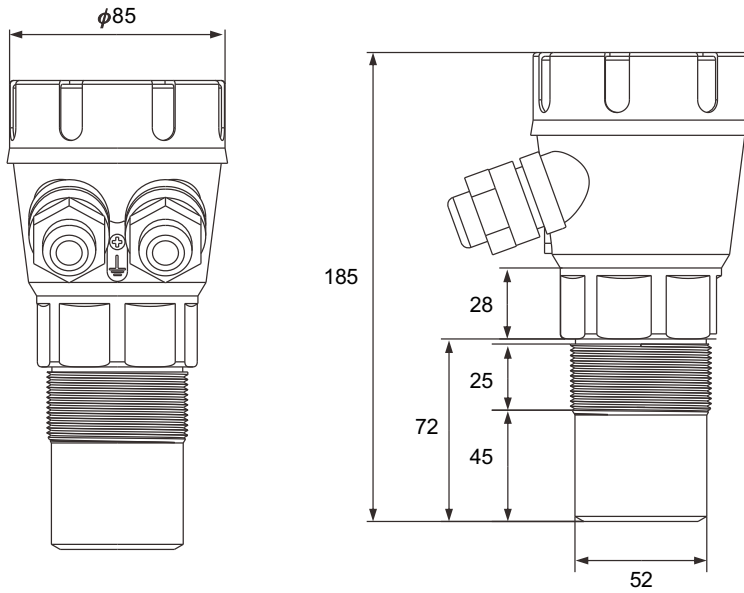
Mount the transducer away from the inlet to avoid interference with the medium.



DIMENSIONS / ORDERING INFORMATION

Dimensions

(Unit:mm)



Ordering information

EAX 2 0 0 0 0 - A ^⑩ ^⑪ ^⑫ ^⑬

Connection

⑩ ⑪

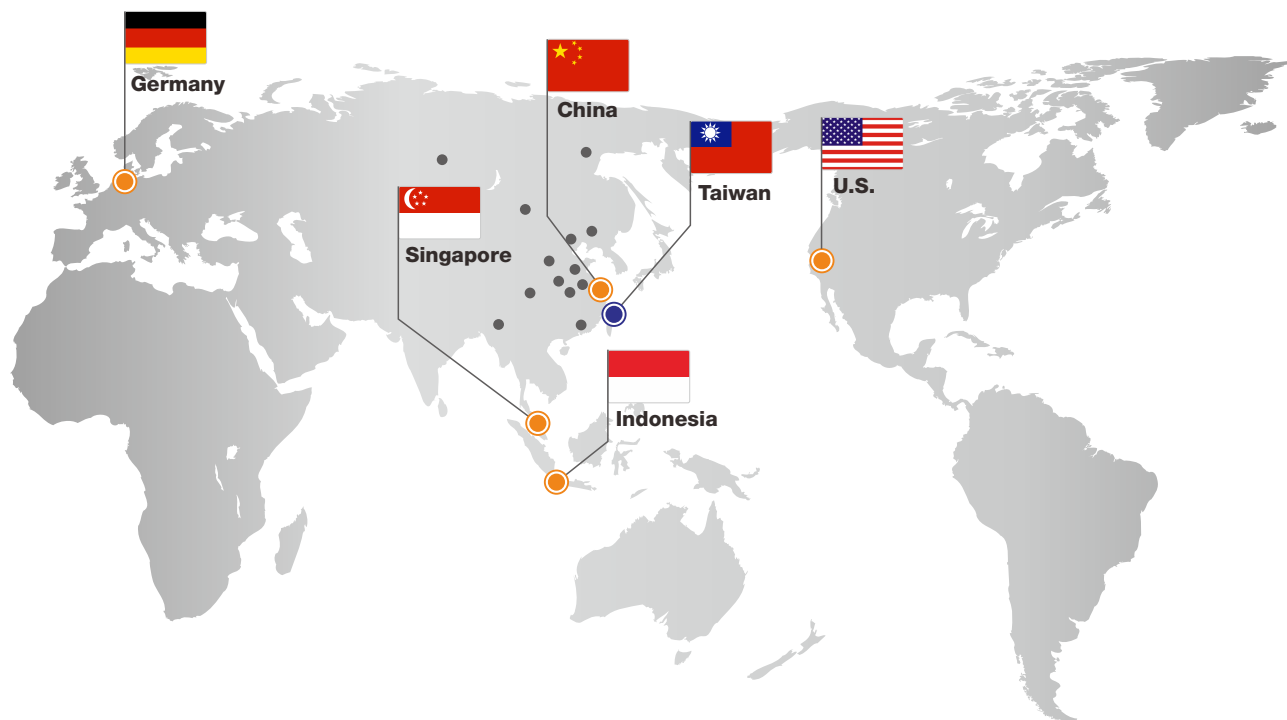
B2: 2"

⑫ ⑬

07: NPT male

91: BSPT male

Global Network



■ Head Quarter

● Taiwan

FineTek Co., Ltd. - Taipei Head Quarter 
 No.16, Tzuchiang St., Tucheng Industrial Park
 New Taipei City 236, Taiwan
 TEL: 886-2-2269-6789
 FAX: 886-2-2268-6682
 EMAIL: info@fine-tek.com

■ North America

● California, U.S.

Aplus Finetek Sensor Inc. - US Office
 355 S. Lemon Ave, Suite D
 Walnut, CA 91789
 TEL: 1 909 598 2488
 FAX: 1 909 598 3188
 EMAIL: info@aplusfine.com

■ Europe

● Germany

FineTek GmbH - Germany Office
 Bei den Kämpen 26
 21220 Seevetal-Ramelsloh, Germany
 TEL: +49-(0)4185-8083-12
 FAX: +49-(0)4185-8083-80
 EMAIL: info@fine-tek.de

■ Asia

● China

Fine automation Co., Ltd. - Shanghai Factory 
 No.451 DuHui Rd, MinHang District, Shanghai,
 China 201109
 TEL: 86-21-6490-7260
 EMAIL: info.sh@fine-tek.com

● Singapore

FineTek Pte Ltd. - Singapore Office
 37 Kaki Bukit Place, Level 4 Singapore 416215
 TEL: 65-6452-6340
 EMAIL: info.sg@fine-tek.com

● Indonesia

PT. FineTek Automation Indonesia - Indonesia Office 
 PERGUDANGAN TUNAS BITUNG
 Jl. Raya Serang KM. 13,8, Blok C3 No. 12&15, Bitung Cikupa,
 Tangerang 15710
 TEL: 62 (021)-2958-1688
 EMAIL: info.id@fine-tek.com

● Mütect Instruments GmbH - Germany Office

Bei den Kämpen 26
 21220 Seevetal-Ramelsloh, Germany
 TEL: +49-(0)4185-8083-0
 FAX: +49-(0)4185-8083-80
 EMAIL: muetec@muetec.de



Distributor: