



LINGJACK
林傑

PILLAR HYDRANT

2 WAY CONTROLLABLE PILLAR HYDRANT

MODEL : PH-100C

Specification :

- Inlet : 4" PN 16
- Outlet : 2 ½" BS 336 Female Instantaneous Coupling
- Design Pressure : 16 bar
- Test Pressure : 25 bar
- Design Temperature : 5 Deg C to 38 Deg C
- Body Material : Cast Iron
- Flow Rate : 802 lpm @ 2.3 bar Inlet
- K-Factor : 507
- Gross Weight : 42.5 kg (Approx)

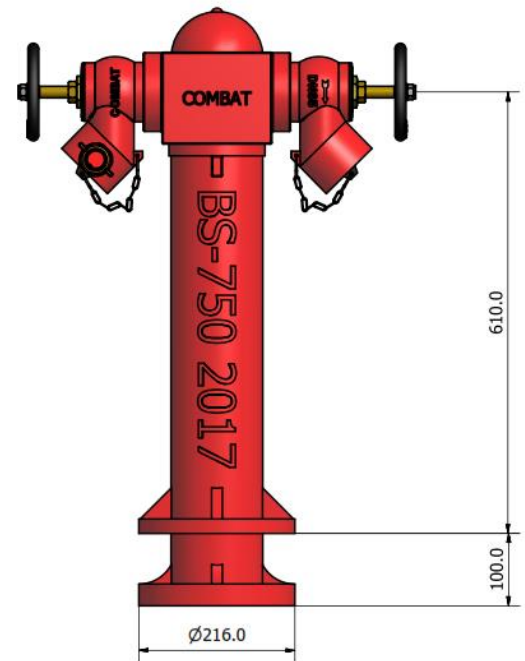
Features :

- Easy to Maintain
- For Private & Public Installation
- Heavy Duty
- Long Life

Standards : Tested to BS EN 14384 : 2005

Approvals : SETSCO

Origin : Made in Singapore



GOOD QUALITY GREAT SERVICES

www.lingjack.com