

## PRESSURE GAUGE MAN-100

### DESCRIPTION

The MAN-100 are reliable and cost-effective, general purpose bourdon tube pressure gauges designed for pressure measurement of liquid and gaseous media. They have a nominal size diameter of 100mm, units marked in bar and their casing is fully manufactured from stainless steel.

### MAIN FEATURES

Accuracy: 1% of full scale value.  
Designed according to EN 837-1.  
Bottom connection.

**OPTIONS:** Backside centric connection.  
Complete stainless steel construction.

**USE:** Non-viscous and non-crystallizing liquids and gases compatible with copper alloy.

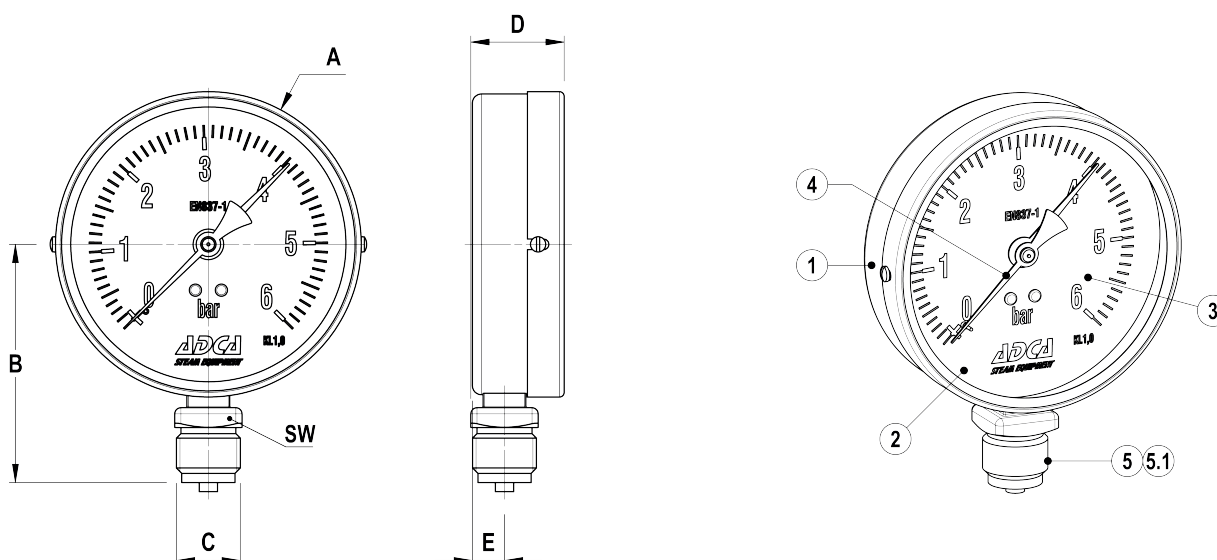
**AVAILABLE MODELS:** MAN-100.

**CONNECTIONS:** ISO 228 G 1/2".

**MEASURING RANGES:** 0 – 2,5 bar; 0 – 4 bar; 0 – 6 bar; 0 – 10 bar;  
0 – 16 bar; 0 – 25 bar; 0 – 40 bar.



LIMITING CONDITIONS	
Maximum allowable pressure	Full scale reading
Maximum operating temperature	110 °C
Ambient temperature	- 10 °C to 60 °C



DIMENSIONS (mm)							
SIZE	Ø A	B	C	D	E	SW	WGT. (kg)
1/2"	100	78	1/2"	31	10,5	22	0,34

MATERIALS		
POS. N°	DESIGNATION	MATERIAL
1	Case and bezel ring	AISI 304 / 1.4301
2	Window	Glass
3	Dial	White aluminium
4	Pointer	Black aluminium
5	Connection	Brass
5.1	Measuring system	Copper alloy