

AIR AND GAS FLOAT TRAPS FA25.3 (SG iron 11/2" – 2"; DN 40 – 50)

DESCRIPTION

The FA25.3 is a range of fully automatic ball float traps specially designed for condensate drainage in compressed air and gas systems. Typical applications include aftercoolers, separators and compressed air mains.

MAIN FEATURES

Modulating discharge.
Unaffected by sudden or wide load and pressure variations.
Flow direction can be easily changed by repositioning the body in relation to the mechanism and cover.

OPTIONS: Equalizing (vent) and drain connections.
BDV – Blowdown valve.
AFZ – Anti-freeze device.
FLL – Float lifting lever.

USE: Compressed air and other non corrosive gases compatible with the construction.

AVAILABLE MODELS: FA25.3-4,5 , 10 and 14 – SG iron.

SIZES: 11/2" to 2"; DN 40 to DN 50.

CONNECTIONS: Female threaded ISO 7 Rp or NPT.
Flanged EN 1092-2 PN 16.
Flanged ASME B16.42 Class 150.

INSTALLATION: Horizontal or vertical installation.

MAX. ΔP: FA25.3-4,5 – 4,5 bar
FA25.3-10 – 10 bar
FA25.3-14 – 14 bar

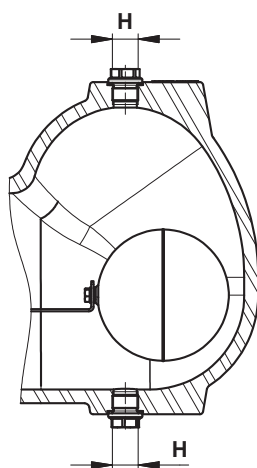
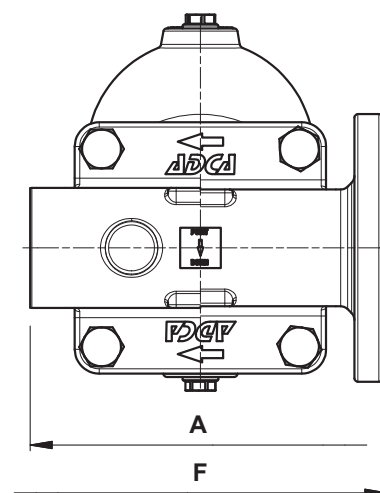
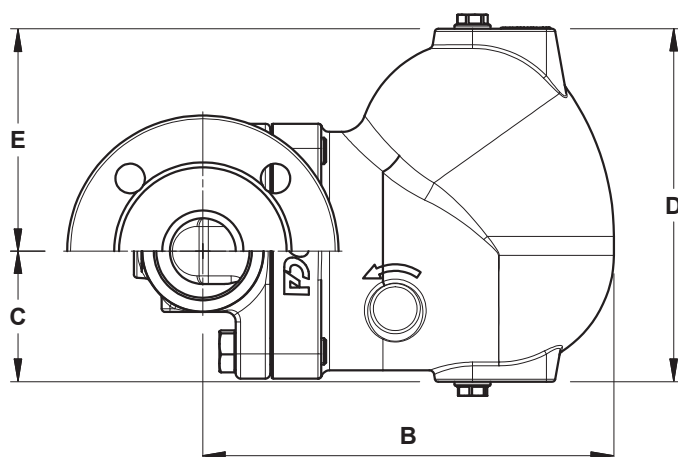


CE MARKING – GROUP 2 (PED – European Directive)	
PN 16	Category
11/2" to 2" – DN 40 to 50	SEP

BODY LIMITING CONDITIONS		
FLANGED PN 16 *	FLANGED CLASS 150 **	RELATED TEMP.
ALLOWABLE PRESSURE	ALLOWABLE PRESSURE	
16 bar	16 bar	100 °C
15,5 bar	14,8 bar	150 °C
14,7 bar	13,9 bar	200 °C
13,9 bar	12,1 bar	250 °C

PMO – Max. operating pressure: 14 bar.
TMO – Max. operating temperature: 198 °C.
Min. liquid specific weight: 0,75 kg/dm³.
* Acc. to EN 1092-2:2018; ** Acc. to ASME B16.42.
Body limiting conditions PN 16 or below, depending on the type of connection adopted. PN 16 for threaded version.

FLOW RATE CAPACITY (kg/h)										
MODEL	SIZE	DIFFERENTIAL PRESSURE (bar)								
		0,5	1	1,5	2	4,5	7	10	12	14
FA25.3-4,5	11/2" to 2" – DN 40 to 50	995	1450	1710	2000	2990	–	–	–	–
FA25.3-10	11/2" to 2" – DN 40 to 50	505	720	850	1010	1600	1890	2300	–	–
FA25.3-14	11/2" to 2" – DN 40 to 50	370	520	610	735	1150	1430	1620	1750	1980

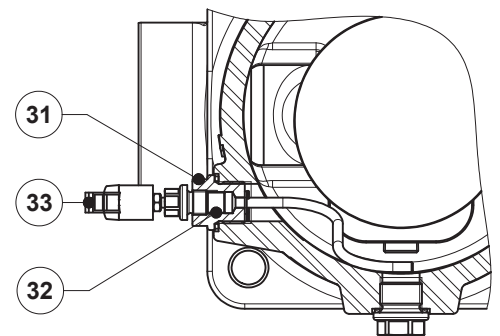
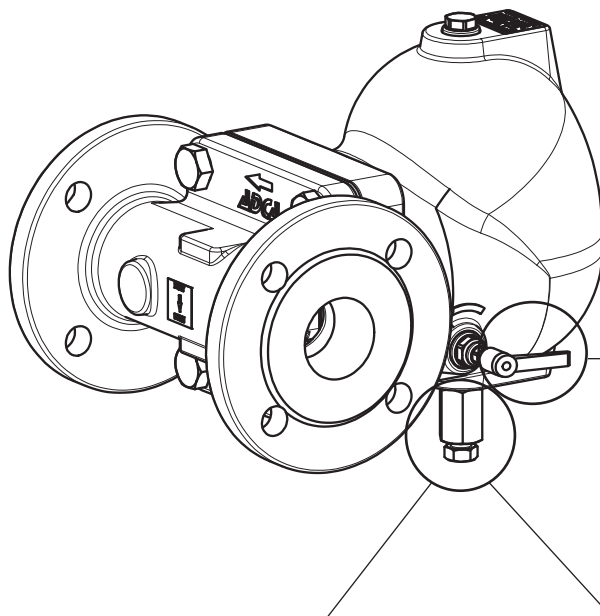
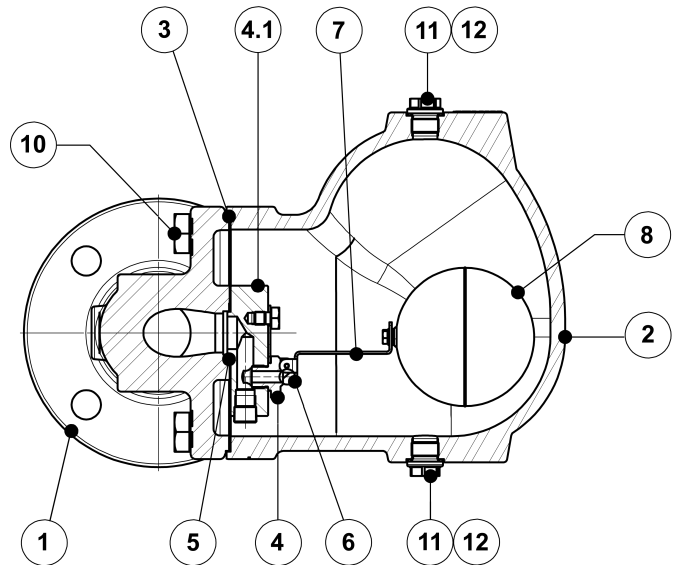


DIMENSIONS (mm)													
SIZE	THREADED / SW							PN 16			CLASS 150		
	A	B	C	D	E	H *	WEIGHT (kg)	F	B	WEIGHT (kg)	F	B	WEIGHT (kg)
1 1/2" – DN 40	210	250	80	215	136	3/8"	18,9	230	250	21,7	230	250	20,2
2" – DN 50	210	250	80	215	136	3/8"	18,2	230	250	23,6	230	250	21,5

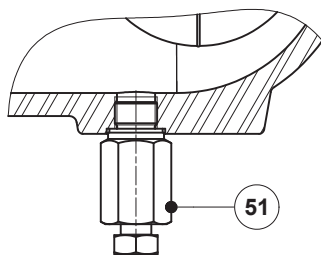
* As standard, in versions with EN flanges and female ISO 7 Rp threads, these connections are female threaded ISO 228. In versions with ASME flanges, female NPT threads or SW, these connections are female threaded NPT.

MATERIALS		
POS. N°	DESIGNATION	MATERIAL
1	Body	GJS-400-15 / 0.7040
2	Cover	GJS-400-15 / 0.7040
3	* Gasket	Stainless steel / Graphite
4	* Seat	AISI 410 / 1.4006
4.1	Mounting plate	AISI 316 / 1.4401
5	* Gasket	Graphite
6	* Valve ball	AISI 440C / 1.4125
7	* Lever	AISI 304 / 1.4301
8	* Float	AISI 304 / 1.4301
10	Bolts	Zinc plated steel
11	Plug	AISI 316L / 1.4404
12	** Gasket	Copper; AISI 304 / 1.4301
31	Lever mechanism	AISI 303 / 1.4305 ; AISI 304 / 1.4301; AISI 316L / 1.4404
32	Packing	Graphite
33	Lever	Plastic
51	Blowdown valve	AISI 303 / 1.4305; AISI 316L / 1.4404
61	Anti-freeze device	AISI 303 / 1.4305; AISI 316L / 1.4404

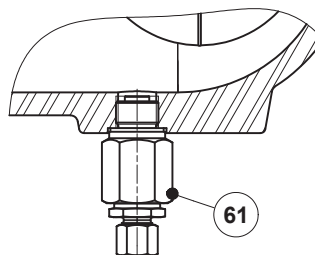
* Available spare parts; ** Not applicable in NPT version.



FLL - Float lifting lever

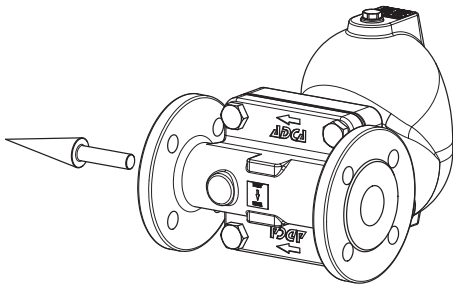


BDV - Blowdown valve
(Manual)

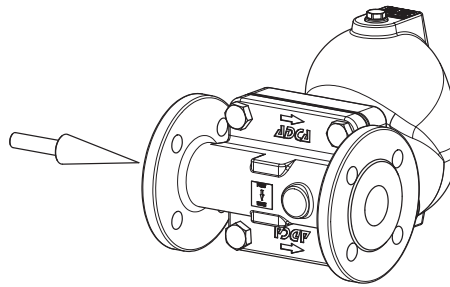


AFZ - Anti-freeze device
(Automatic)

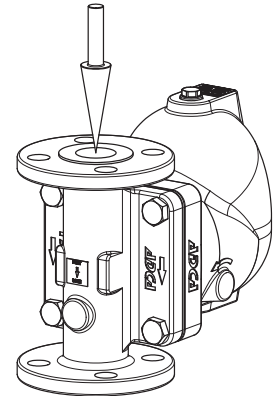
FLOW DIRECTION



R - Horizontal from right to left



L - Horizontal from left to right



V - Vertical from top to bottom

ORDERING CODES FA25.3

ORDERING CODES FA25.3									
Model	FA253	2	M	XX	X	IR	A	40	
FA25.3 – GJS-400-15 / 0.7040 SG iron	FA253								
Differential pressure									
4,5 bar		2							
10 bar		3							
14 bar		4							
Valve sealing									
Metal to metal			M						
Cover connections									
None				XX					
3/8" threaded connections on top and bottom, closed with plugs (mandatory if any options are considered)				10					
Options									
BDV and AFZ have specific separated ordering codes, please refer to the appropriate documentation.									
FLL - Float lifting lever									
None					X				
Lifting lever on the right side (when facing the steam trap body)					R				
Lifting lever on the left side (when facing the steam trap body)					L				
Flow direction									
Horizontal from right to left – standard						IR			
Horizontal from left to right						IL			
Vertical from top to bottom						IT			
Pipe connections									
Female threaded ISO 7 Rp							A		
Female threaded NPT							C		
Flanged EN 1092-2 PN 16							L		
Flanged ASME B16.42 Class 150							U		
Size									
11/2" or DN 40								40	
2" or DN 50								50	
Special valves / Extras									
Full description or additional codes have to be added in case of a non-standard combination									E