

FLOAT AND THERMOSTATIC STEAM TRAPS

FLT22S – Carbon steel / FLT22SS – Stainless steel

DESCRIPTION

FLT22 float and thermostatic (integral air vent) steam traps series are designed for all types of low and high pressure steam heating and process equipment.

Typical applications include unit heaters, heat exchangers, driers, jacketed vessels and all the applications where continuous drainage is essential.

Connections are female screwed or flanged.



MAIN FEATURES

Modulating discharge.

Discharges condensate at steam temperature.

Unaffected by sudden or wide load and pressure changes.

Excellent air discharge (by thermostatic air vent).

USE: Saturated and superheated steam.

AVAIL.MODELS: FLT 22S – Carbon steel

FLT22SS – Stainless steel

SIZES: DN 1 1/2" - 2"; DN 40 – DN 50

CONNECTIONS: Female screwed

Flanged EN1092-1 PN40 or ANSI

INSTALLATION: Horizontal standard installation from right to left (R-L).

Left to right (L-R) or vertical installation top to bottom

(V) on request

BODY LIMITING CONDITIONS				
FLT22S		FLT22SS		RELATED TEMP.
FLANGED PN 25 / ANSI 300 *	FLANGED ANSI 150 **	FLANGED PN 25 / ANSI 300 *	FLANGED ANSI 150 **	
ALLOW. PRES.	ALLOW. PRES.	ALLOW. PRES.	ALLOW. PRES.	
23,2 bar	15,4 bar	21,5 bar	15,7 bar	100 °C
20,8 bar	13,8 bar	17,5 bar	13,2 bar	200 °C
19 bar	12,1 bar	16,3 bar	12 bar	250 °C
17,2 bar	10,2 bar	15,1 bar	10,2 bar	300 °C

CE MARKING	
PN 25	Category
DN40 - DN50	1 (CE Marked)

PMO - Max. operating pressure 14 bar ; TMO - Max. operating temperature 198 °c

* According to EN1092-1:2007 ; ** Acc. to EN1759-1:2004

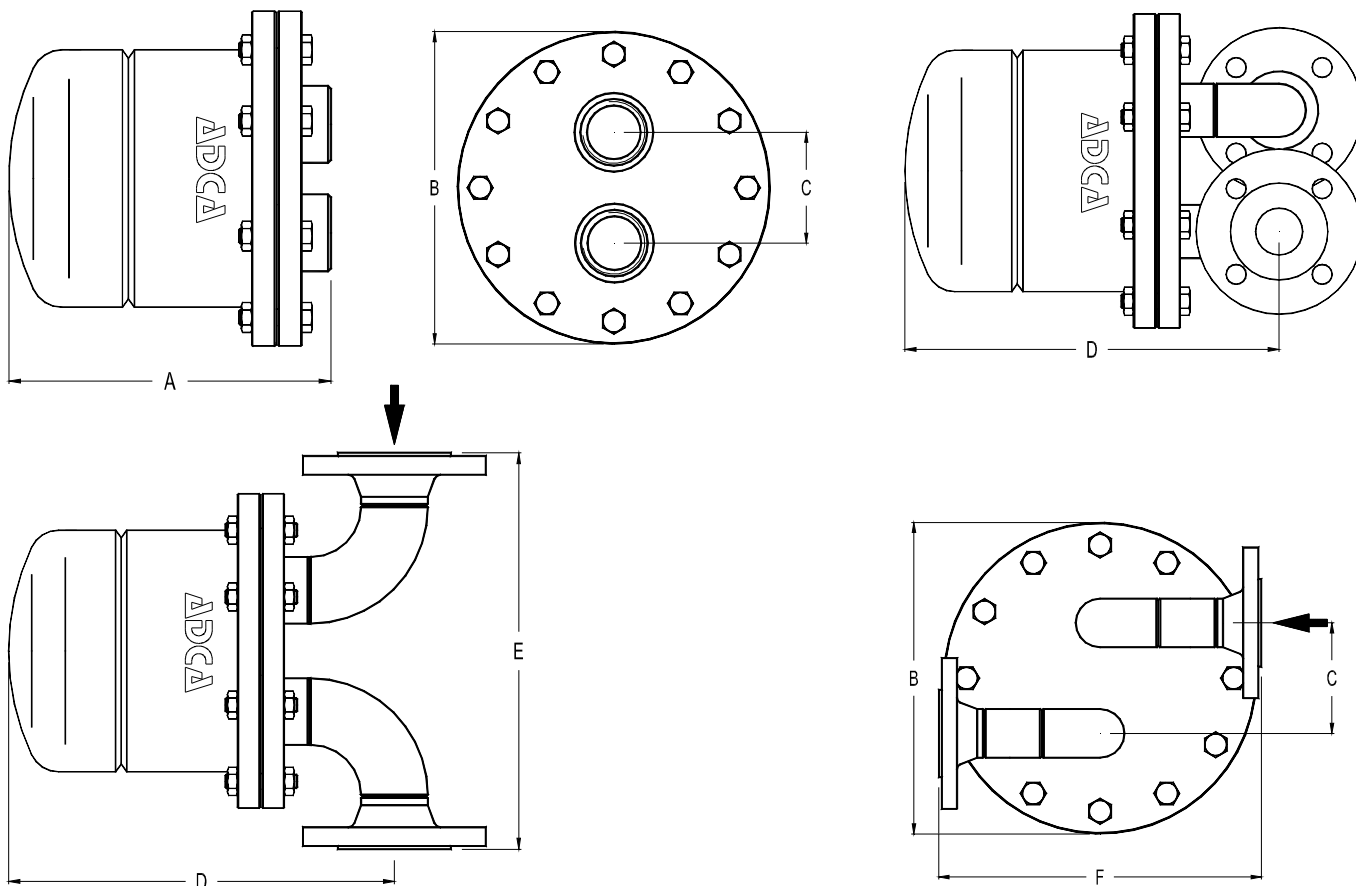
Body limiting conditions PN25 or below, depending on the type of connection adopted. Rating PN25 for thread.

MAX. DIFF. PRESSURE: FLT22S-4,5 : 4,5 bar ; FLT22S-10 : 10 bar ; FLT22S-14: 14 bar ; FLT22S-21: 21 bar

Note: the same figures are valid for the FLT22SS

FLOW RATE CAPACITY IN Kgs/h													
MODEL	SIZE	DIFFERENTIAL PRESSURE (bar)											
		0,5	0,7	1	1,5	2	4,5	7	10	12	14	16	21
FLT22S-4,5	40-11/2"	2400	2800	3400	3900	4500	7300						
FLT22S-10	40-11/2"	1500	1750	2000	2600	3000	4000	5400	6200				
FLT22S-14	40-11/2"	950	1100	1300	1600	1800	2600	3250	3900	4210	4950		
FLT22S-21	40-11/2"	950	1100	1300	1600	1800	2600	3250	3900	4210	4950	5000	5600
FLT22S-4,5	50-2"	7550	9050	11000	14000	15500	22500						
FLT22S-10	50-2"	3900	4450	5000	6100	7100	10000	13750	16000				
FLT22S-14	50-2"	1900	2300	2700	3100	3600	5000	6900	8100	9000	9800		
FLT22S-21	50-2"	1900	2300	2700	3100	3600	5000	6900	8100	9000	9800	10000	12050

Note: the same figures are valid for the FLT22SS



DIMENSIONS (mm)																
SREWED					FLANGED EN 1092-1				FLANGE ANSI B16.5 Cl.150 lbs				FLANGE ANSI B16.5 Cl.300 lbs			
SIZE DN	A	B	C	WGT. Kgs	D	E	F	WGT. Kgs	D	E	F	WGT. Kgs	D	E	F	WGT. Kgs
40-11/2"	290	310	110	41	355	320	320	43	355	320	320	47	355	320	320	50
50-2"	290	310	110	42	355	360	320	45	355	390	350	50	355	403	365	52

MATERIALS			
POS. Nr.	DESIGN.	MATERIAL FLT22S	MATERIAL FLT22SS
1	Body	P250GH / 1.0460 ; P235GH / 1.0305 ; S355J2G3 / 1.0570 ; S235JRG2/1.0038	AISI316 / 1.4401 ; AISI304 / 1.4301
2	Cover	P235GH / 1.0305 ; P265GH / 1.0425 ; S355J2G3 / 1.0570	AISI316 / 1.4401 ; AISI304 / 1.4301
3	*Gasket	Graphite	Graphite
4	*Seat	CF8 / 1.4308	CF8 / 1.4308
5	*Valve	AISI420 / 1.4021	AISI420 / 1.4021
6	*Lever	AISI304 / 1.4301	AISI304 / 1.4301
7	*Float	AISI304 / 1.4301	AISI304 / 1.4301
8	*Air vent	Stainless steel (Bimetalic)	Stainless steel (Bimetalic)
9	Bolts	Steel 8.8	St. Steel A2-70

*Available spare parts.

