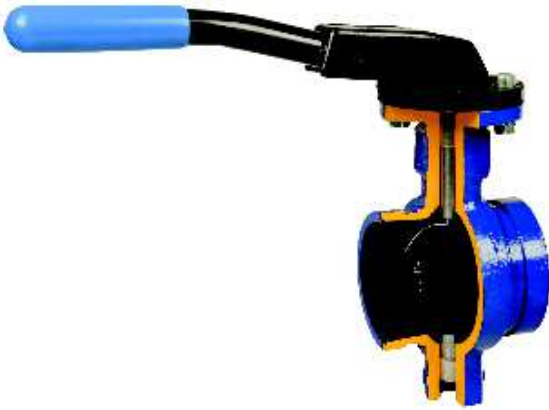


FIG.494

 BUTTERFLY VALVE zBUT



Body material	Nominal pressure	Nominal diameter	Max. temperature
B Nodular cast iron	C 16 bar	50-200	110°C

### FEATURES

- high tightness class - A acc. to EN - 12266 – 1
- compact settlement
- environment-friendly
- tests acc. to EN - 12266 - 1
- easy to install
- EPOXY RAL 5002 150 µm

### APPLICATION \*

\* not all of the applications are suitable for all of the executions

industries



INDUSTRY

media



INDUSTRIAL  
WATER

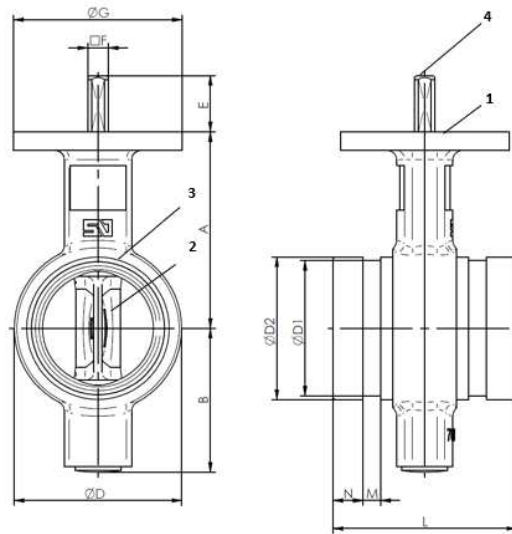


NEUTRAL  
FLUIDS

Data given can be changed without notice.

Edition 01/2018

MATERIALS, DIMENSIONS



Body material		B					
Type		26-I	66-I	C6-I	06-I	36-I	A6-I
1	Body	EN-GJS-400-15 5.3106 (ex.JS1030 + EPOXY)					
2	Seat	EN-GJS-400-15 5.3106 (ex.JS1030 + EPOXY)			1.4408		
3	Disc	EPDM					
4	Stem	1.4005					
Operation		Bare shaft	Catch lever	Gearbox	Bare shaft	Catch lever	Gearbox
Max. temperature		110°C					

DN	50	65	80	100	125	125	150	150	200
A (mm)	100	105	112	135	147	147	180	180	204
B (mm)	50	77	85	97	108	108	120	120	148
D (mm)	70	89,5	102	128	155	155	180	180	234
D1 (mm)	57,1	72,3	84,9	110,1	135,5	137	160,9	164	214,4
D2 (mm)	60,3	76,1	88,9	114,3	139,7	141,3	165,1	168,3	219,1
E (mm)	30	30	30	30	33	33	33	33	33
F (mm)	11	11	11	11	14	14	14	14	17
G (mm)	90	90	90	90	90	90	90	90	90
L (mm)	86	97	97	116	148	148	148	148	133
M (mm)	8	9,5	9,5	9,5	9,5	9,5	9,5	9,5	12,4
N (mm)	16	16	16	16	16	16	16	16	19
ISO	F-07	F-07	F-07	F-07	F-07	F-07	F-07	F-07	F-07
Weight (kg)	1,75	2,30	2,80	3,90	5,90	6,10	7,30	7,80	10,40

Data given can be changed without notice.

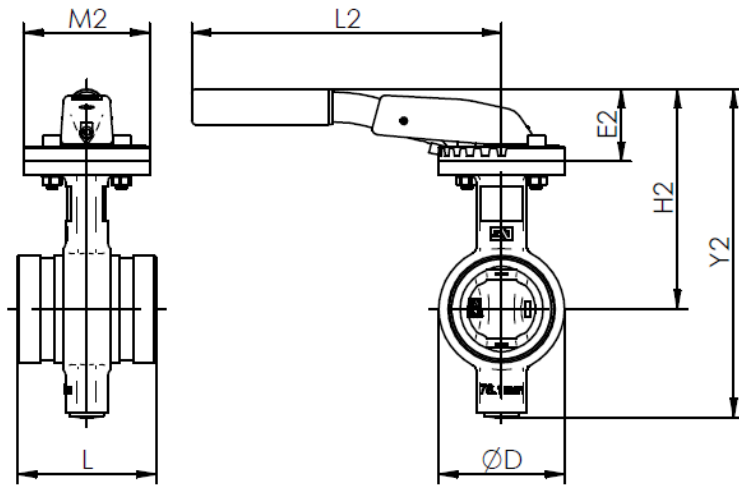
Edition 01/2018

ZETKAMA Sp. z o.o.  
Ul. 3 Maja 12  
PL 57-410 Ścinawka Średnia

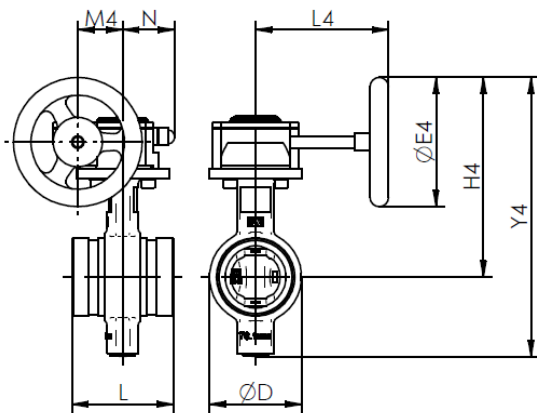
Tel. +48 74 8652 193  
Tel. +48 74 8652 111  
Fax +48 74 8652 199

E-mail export@zetkama.com.pl  
www.zetkama.com

FIG.494



DN	50	65	80	100	125	125	150	150	200
D (mm)	70	89	102	128	155	155	180	180	234
L (mm)	86	97	97	116	148	148	148	148	133
E2 (mm)	49	49	60	60	75	75	75	75	75
H2 (mm)	149	154	172	195	222	222	255	255	279
Y2 (mm)	199	231	257	292	330	330	375	375	427
L2 (mm)	220	220	260	260	315	315	315	315	315
M2 (mm)	90	90	90	90	90	90	90	90	90
Weight (kg)	2,3	3,0	3,5	4,6	6,5	6,7	7,9	8,4	11,0



DN	50	65	80	100	125	125	150	150	200
D (mm)	70	89	102	128	155	155	180	180	234
L (mm)	89	97	97	116	148	148	148	148	133
E4 (mm)	125	125	125	125	160	160	160	160	200
H4 (mm)	188	193	200	223	252	252	286	286	334
Y4 (mm)	238	270	285	320	360	360	406	406	482
L4 (mm)	129	129	129	129	135	135	135	135	152
M4 (mm)	43,5	43,5	43,5	43,5	43,5	43,5	43,5	43,5	52,5
N (mm)	50,5	50,5	50,5	50,5	50,5	50,5	50,5	50,5	59
Weight (kg)	2,9	3,5	4,0	5,1	7,0	7,6	8,7	9,2	13,0

Data given can be changed without notice.

Edition 01/2018

**KV [m<sup>3</sup>/h] DEPENDING OF ANGLE OPENING DISC**

DN	90°	80°	70°	60°	50°	40°	30°	20°	10°
50	98	90	60	38	23	13	6	3	0,05
65	167	152	102	64	38	21	10	5	0,09
80	258	235	156	99	60	33	15	8	0,17
100	512	468	310	196	118	67	31	15	0,26
125	872	793	529	334	202	113	52	25	0,43
150	1347	1226	817	516	312	175	81	38	0,68
200	2675	2434	1623	1025	620	348	160	76	1,7

**OPERATING TORQUE IN NM TO CLOSE THE VALVES DEPENDING ΔP (BAR)**

DN	10 bar	16 bar
50	15	16
65	24	26
80	31	33
100	48	53
125	73	81
150	106	119
200	177	194

**TYPE**

Figure	Body material	Nominal diameter	Nominal pressure	Type
494	B Nodular cast iron EN-GJS-400-15	50-200 mm	C 16 bar	66 disc - nodular cast iron covered by epoxy layer, catch lever, EPDM sealing
		50-200 mm	C 16 bar	26 disc - nodular cast iron covered by epoxy layer, bare shaft, EPDM sealing
		50-200 mm	C 16 bar	C6 disc - nodular cast iron covered by epoxy layer, gearbox, EPDM sealing
		50-200 mm	C 16 bar	36 disc - cast stainless steel, catch lever, EPDM sealing
		50-200 mm	C 16 bar	06 disc - cast stainless steel, bare shaft, EPDM sealing
		50-200 mm	C 16 bar	A6 disc - cast stainless steel, gearbox, EPDM sealing

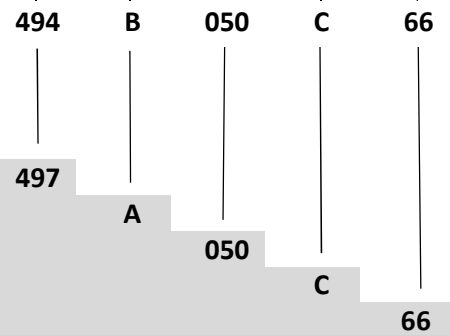
Data given can be changed without notice.

Edition 01/2018

**ORDERING**

Figure	Body material	Nominal diameter	Nominal pressure	Type
494	B Nodular cast iron EN-GJS-400-15	50-200 mm	C 16 bar	66 disc - nodular cast iron covered by epoxy layer, catch lever, EPDM sealing

**Order example acc. index**



Butterfly valve, grooved ends type, form straight	497
Nodular cast iron EN-GJS-400-15	A
Nominal diameter (mm)	050
Nominal pressure PN 16	C
Disc - ductile iron, covered by epoxy layer, EPDM sealing, catch lever	66

Data given can be changed without notice.

Edition 01/2018