

## FLOAT & THERMOSTATIC STEAM TRAPS UFS32 (For use with universal pipeline connectors)

### DESCRIPTION

UFS32 complete stainless steel, maintenance free, sealed, float and thermostatic (integral air vent) steam traps series are designed for low and medium pressure steam and all types of heating and process equipment.

Typical applications include unit heaters, heat exchangers, driers, jacketed vessels and all the applications where continuous drainage is essential.

These traps fit the UCX universal connectors and CTS4U compact stations.



### MAIN FEATURES

Sealed, non-maintainable.

Modulating discharge.

Discharges condensate at steam temperature.

Unaffected by sudden or wide load and pressure changes.

Excellent air discharge (by thermostatic air vent)

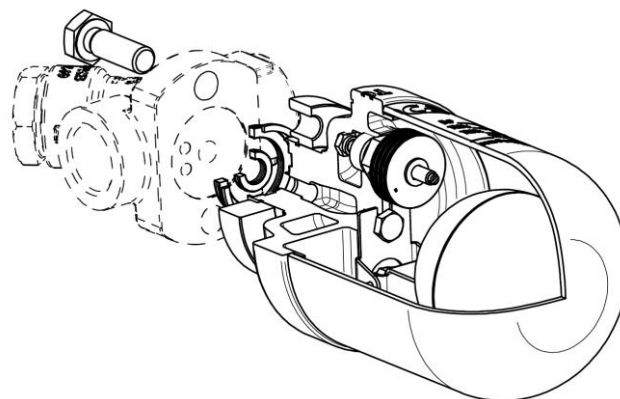
USE: Saturated and superheated steam.

### AVAILABLE

MODELS: UFS32 – 4,5 to 32.

SIZES: According to the pipeline connector.

INSTALLATION: Always in a horizontal plane with the “O” of the TOP inscription perfectly aligned with the vertical axis.



| BODY LIMITING CONDITIONS |               |
|--------------------------|---------------|
| ANSI 300                 | RELATED TEMP. |
| ALLOWABLE PRESSURE       |               |
| 47,8 bar                 | -10 /50° C    |
| 40,9 bar                 | 100 °C        |
| 34,4 bar                 | 200 °C        |
| 30,6 bar                 | 300 °C        |
| 28,6 bar                 | 400 °C        |

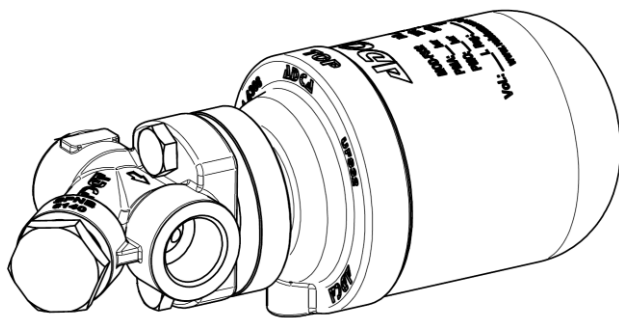
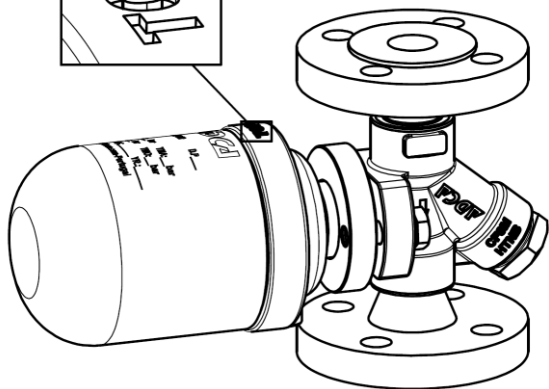
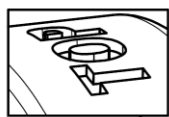
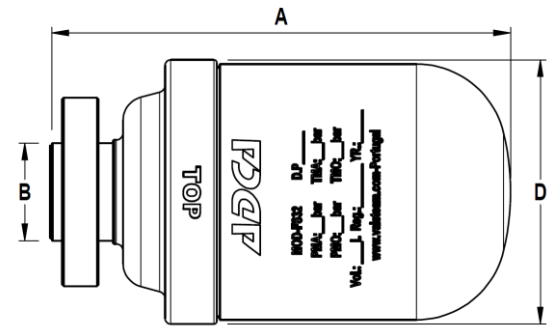
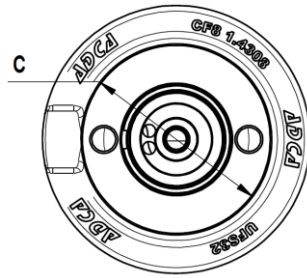
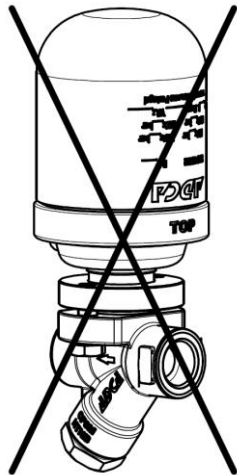
PMO - Max. operating pressure 32 bar

TMO - Max. operating temperature 245 °C

The connector may restrict the operating conditions to a lower rating.

| MAXIMUM DIFFERENTIAL PRESSURE |           |
|-------------------------------|-----------|
| MODEL                         | Max. D.P. |
| UFS32-4,5                     | 4,5 bar   |
| UFS32-10                      | 10 bar    |
| UFS32-14                      | 14 bar    |
| UFS32-21                      | 21 bar    |
| UFS32-32                      | 32 bar    |

| FLOW RATE CAPACITY IN Kgs/h |                             |     |     |     |     |     |     |     |     |     |     |     |     |     |     |     |
|-----------------------------|-----------------------------|-----|-----|-----|-----|-----|-----|-----|-----|-----|-----|-----|-----|-----|-----|-----|
| MODEL                       | DIFFERENTIAL PRESSURE (bar) |     |     |     |     |     |     |     |     |     |     |     |     |     |     |     |
|                             | 0,5                         | 1   | 1,5 | 2   | 3   | 4,5 | 6   | 7   | 8   | 9   | 10  | 12  | 14  | 16  | 21  | 32  |
| UFS32-4,5                   | 230                         | 330 | 400 | 440 | 535 | 630 |     |     |     |     |     |     |     |     |     |     |
| UFS32-10                    | 150                         | 200 | 250 | 280 | 340 | 400 | 460 | 495 | 520 | 550 | 595 |     |     |     |     |     |
| UFS32-14                    | 120                         | 150 | 190 | 220 | 260 | 320 | 380 | 400 | 425 | 440 | 480 | 510 | 550 |     |     |     |
| UFS32-21                    | 60                          | 80  | 90  | 115 | 135 | 160 | 190 | 200 | 220 | 230 | 240 | 260 | 270 | 290 | 300 |     |
| UFS32-32                    | 36                          | 50  | 62  | 75  | 90  | 105 | 120 | 140 | 150 | 155 | 160 | 170 | 190 | 200 | 230 | 280 |



UFS steam trap fitted to UCX pipeline connector

UFS steam trap fitted to CTS4U compact station

| DIMENSIONS (mm) |     |    |    |    |           |
|-----------------|-----|----|----|----|-----------|
| MODEL           | A   | B  | ØC | ØD | WEIGHT Kg |
| UFS32           | 164 | 35 | 67 | 94 | 2,1       |

| MATERIALS |                |                     |
|-----------|----------------|---------------------|
| POS.Nr.   | DESIGNATION    | MATERIAL            |
| 1         | Body           | CF8 / 1.4308        |
| 2         | Cover          | AISI304 / 1.4301    |
| 3         | Valve seat     | AISI410 / 1.4006    |
| 4         | Valve          | AISI440C / 1.4125   |
| 5         | Air vent       | Bimetallic          |
| 6         | Float          | AISI301 / 1.4301    |
| 7         | *Inlet gasket  | St.Steel / Graphite |
| 8         | *Outlet gasket | St.Steel / Graphite |
| 9         | Flange         | AISI316 / 1.4401    |
| 10        | Retainer ring  | Steel               |
| 11        | Bolts          | ASTM A193 Gr.B7     |

\* Available spare parts

