

TGV-10 Full Bore Ball Valve

Min. pressure loss: Valves are extremely important control element in order to provide open - close and flow control. Due to the construction and type of flow bore of ball valve, minimum pressure loss is provided. The pressure loss of TGV 10 is the same with the pipe at same diameter

- Easy maintenance: Due to simple body and internal parts, it's so easy to make maintenance.
- Top flange for actuator mounting: is acc. to ISO 5211.
- Stem packing, EPDM O-ring.

Application Areas

- Hot and cold water supply and distribution lines
- Non-acidic and non-alkali liquid pipelines
- Non-flammable liquid pipelines
- Shipbuilding
- Paper mills



Open/Close Torque Value (Nm)												
DN	15	20	25	32	40	50	65	80	100	125	150	200
Full Bore	5	7	11	14	17	25	45	80	120	210	400	770

Torque values are changeable acc. to temperature, pressure, type and cleaning degree of liquid.

* These values can be increased 30-35 % rate on dry gas, dense or corroded liquid.

* These values can be decreased 11-15 % rate on high lubricate liquid such as oil.

Product Features

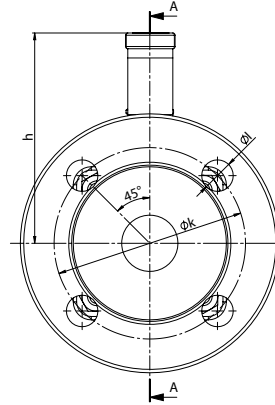
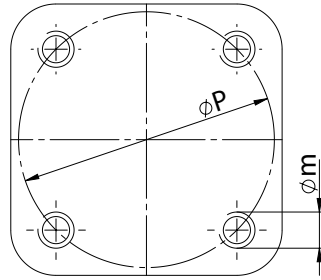
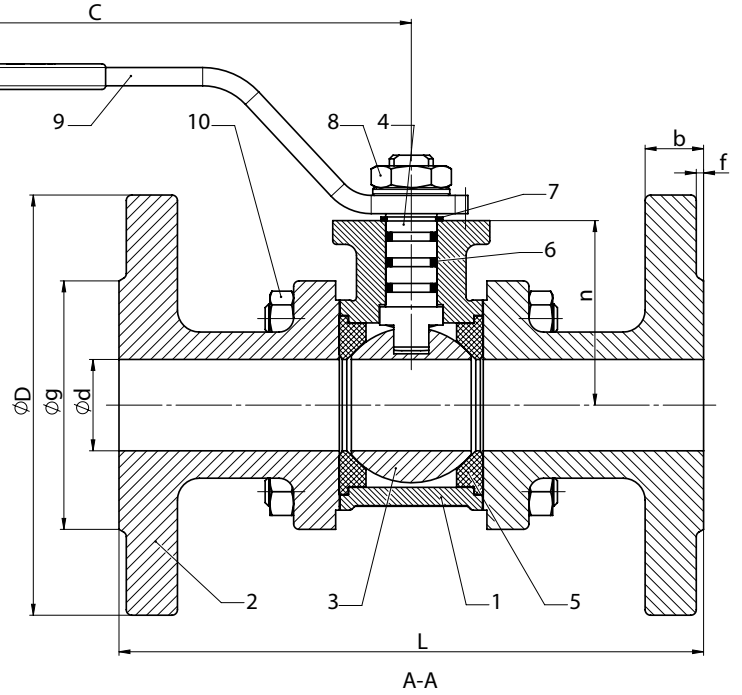
Body and Cover Material	: Cast Iron GG-25
Ball Material	: Stainless Steel AISI 304
Flange	: Stainless Steel AISI 304
Ball Seat	: R-PTFE (15%)
Gasket (for DN 65 and above)	: PTFE
Connection Type	: Flanged
Nominal Pressure (PN)	: 16 bar
Max. Operating Temperature	: -10/+120 °C

Operating Conditions

- The product can be used at 16 bar constant nominal pressure in operating temperature range (-10/+120 °C).
- The product is not suggested to be used above 120 °C and for steam applications.

TGV-10

NO.	PART NAME	MATERIAL
1	Body	Cast Iron GG-25
2	Flange	Cast Iron GG-25
3	Ball	Stainless Steel AISI 304
4	Stem	Stainless Steel AISI 304
5	Ball Seat	EPDM O-ring
6	Stem	St 37
7	Disc Spring	50 Cr V4
8	Nut	5.6
9	Lever	St 42
10	Bolts	5.6



TGV-10 DIMENSIONS										
DN	ØD (mm)	Øg (mm)	b (mm)	Øk (mm)	Øl (mm)	n (mm)	f (mm)	L (mm)	h (mm)	c (mm)
15	95	45	16	65	14	4	2	130	82,5	166
20	105	58	16	75	14	4	2	150	88,5	166
25	115	68	16	85	14	4	2	160	93,5	166
32	140	78	20	100	18	4	2	180	98	230
40	150	88	20	110	18	4	3	200	110	230
50	165	102	20	125	18	4	3	230	117	230
65	185	122	20	145	18	4	3	290	139	400
80	200	138	22	160	18	8	3	310	154	400
100	220	158	24	180	18	8	3	350	171	400
125	250	188	27	210	18	8	3	400	211	702
150	285	212	27	240	22	8	3	350	228	702
200	340	268	31	295	22	12	3	400	287	774

ACTUATOR CONNECTIONS DIMENSIONS				
DN	ISO 5211	Flange Connection Dimensions		
		ØP	Øm	Quantity
15	F04	42	M5	4
20	F04	42	M5	4
25	F04	42	M5	4
32	F05	50	M6	4
40	F05	50	M6	4
50	F07	70	M8	4
65	F07	70	M8	4
80	F10	102	M10	4
100	F10	102	M10	4
125	F10	102	M10	4
150	F12	125	M12	4
200	F12	125	M12	4

AYVAZ

HACI AYVAZ ENDÜSTRİYEL MAMULLER SANAYİ VE TİC. A.Ş.

Atatürk Sanayi Bölgesi Hadımköy Mahallesi Mustafa İnan Caddesi
No: 44/1, 34555 Arnavutköy - İSTANBUL
Tel: +90 (212) 771 01 45 (pbx) - Fax: +90 (212) 771 25 60
E-mail: info@ayvaz.com

DISTRIBUTOR