

bellow differential pressure gauges DS 4", 6" (100-150mm)



PED 2014/68/EU

Designed to indicate differential pressure of gas or not cristalising fluid within the range 0...10 mbar to 0...160 mbar.

2.14.1 - Standard Model

Accuracy class: $\pm 1,6\%$ of the full scale value.

Scale amplitude: 180°.

Ambient temperature: $-22...+149\text{ }^{\circ}\text{F}$ ($-40...+65\text{ }^{\circ}\text{C}$).

Process fluid temperature: $-13...+149\text{ }^{\circ}\text{F}$ ($-25...+65\text{ }^{\circ}\text{C}$).

Protection: IP 55 as per EN 60529/IEC 529.

Process connection: AISI 316L st.st.

Elastic element: AISI 316L st.st. bellows.

Gasket: PTFE.

Case: stainless steel.

Ring: stainless steel polished, bayonet lock.

Window: glass.

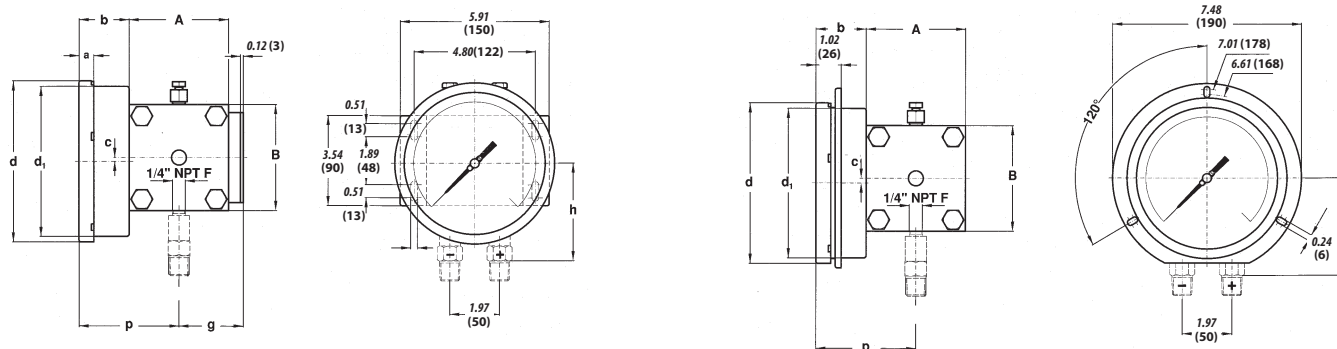
Movement: stainless steel.

Dial: aluminium, white with black markings.

Pointer: aluminium, micrometric adjustable.

RANGES (1)	Static pressure one side	Static pressure both side
0...10 mbar	100 mbar	10 bar
0...16 mbar	160 mbar	10 bar
0...25 mbar	250 mbar	10 bar
0...40 mbar	400 mbar	10 bar
0...60 mbar	600 mbar	25 bar
0...100 mbar	1 bar	25 bar
0...160 mbar	1,6 bar	25 bar

(1) Other unit of measurement upon request.



dimensions : inches (mm)

Lower (Mounting code A) , with back flange (Option code C): DS 4", 6" (100-150mm)

Lower (Mounting code A) , with front flange (Option code F): DS 4" (100mm)

DS	Ranges	F	a	b	c	d	d ₁	h	p	g	A	B	Weight lbs (kg)
4" (100mm)	≤ 40 mbar	41M G 1/2 A	0.51	1.91	0.16	4.35	3.98	3.94	3.96	2.56	3.94	4.33	4,79 kg (4,79)
	≥ 60 mbar		(13)	(48,5)	(4)	(110,5)	(101)	3.35	3.46	2.20	3.11	3.15	3,33 kg (3,33)
6" (150mm)	≤ 40 mbar	43M 1/2-14 NPT	0.59	1.99	0.10	6.34	5.91	3.94	3.96	2.56	3.94	4.33	5,29 kg (5,29)
	≥ 60 mbar		(15)	(50,5)	(2,5)	(161)	(150)	3.35	3.46	2.20	3.11	3.15	3,83 kg (3,83)

dimensions : inches (mm)

OPTIONS

C - Back flange	Electric contacts	(1)
E - Front flange	R11 - Silicon oil filled case. Ambient temp. -40...+149°F (-40...+65°C).	(1) (3) (4)
C40 - AISI 316L st.st. case and ring	S31 - 2" pipe mounting bracket	
L22 - Maximum pointer IP65	(2) (4) T01 - Tropicalization	
Q01 - Special dial	T32 - Safety glass window	(4)
R10 - Case glycerine filling. Ambient temp. +32...+149°F (0...+65°C).	(4)	

- (1) Codes, descriptions and wiring on data-sheet MN14: for pressure ranges ≥ 20 mbar
- (2) To be ordered with Plexiglas window
- (3) Window gasket and blow out vent: VITON
- (4) Not available with electric contacts

"HOW TO ORDER" SEQUENCE

Section / Model / Case / Mounting / Diameter / Special version /Range / Process connection / Options
2 14 1 A E --- 41M - G 1/2 A M C, E
G 43M - 1/2" NPT M C40...T32
23F - 1/4" NPT F