

## bi-metal thermometers

DS 3", 5"

(80-125 mm)



PED 2014/68/EU

These instruments are designed for use in chemical, petrolchemical processing industries. They are built to resist the most severe operating conditions created by the environment and the process medium. A TIG welded case/bulb strengthens the whole construction. The hermetic seal minimize the risk of icing or fogging inside the case.

### 6.TB9 - Standard Model

**Designation:** ASME B40.3.

**Accuracy class:** 1% full-span (grade A).

**Ranges:** -80...+1000 °F/°C.

**Overtemperature limit:** 10% of full scale range; max 930 °F.

**Ambient temperature:** -20...+150 °F (-30...+65 °C).

**Max working pressure:** 200 psi - 15 bar (without thermowell).

**Protection degree:** IP 65 as per EN 60529/IEC 529.

**Process connection:** AISI 303 stainless steel.

**Stem:**  $\phi$  1/4" (6,35 mm), AISI 304 st. st.

**Sensing element:** coiled bi-metal.

**Case:** stainless steel, hermetically sealed as per ASME B40.3.

**Ring:** stainless steel, crimped.

**Window:** heavy duty tempered glass.

**Dial:** white aluminium, black and red marking.

**Pointer:** black aluminium.

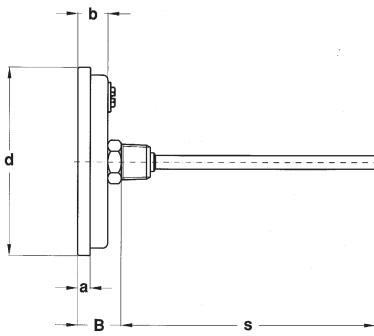
**Zero-adjustment:** external, at back of case.

Ranges (°F/°C)
-80...+120
-20...+120
+30...+130
0...+200
0...+250
0...+300
+50...+300
+50...+400
+50...+550
+200...+700 <sup>(1)</sup>
+100...+800 <sup>(1)</sup>
+200...+1000 <sup>(1)</sup>

(1) minimum stem length:  
6" inches (150 mm)

### STEM LENGTH

cod.	7C	7D	7E	7F	7G	7H	7I
inch.	2" 1/2	4"	6"	9"	12"	15"	18"
(mm)	(63,5)	(101,6)	(152,4)	(228,6)	(304,8)	(381)	(457,2)

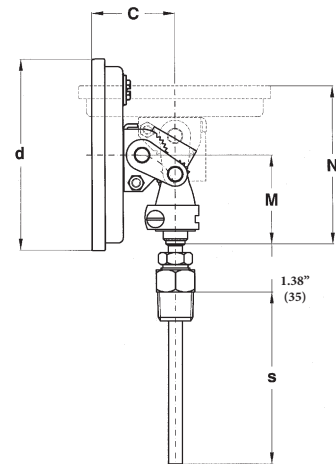


DS 3.5"-4.5" (80-125 mm)

4 - Back connection

DS	a	b	d	B
<b>D</b> 3" (80)	0.32" (8,2)	0.67" (17)	3.13" (79,5)	0.98" (25)
<b>F</b> 5"(125)	0.26" (6,5)	0.65" (16,5)	5.09" (129,2)	0.96" (24,5)

dimensions : inches (mm)

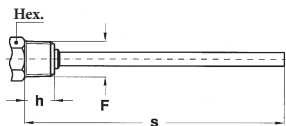


DS 4.5" (125 mm)

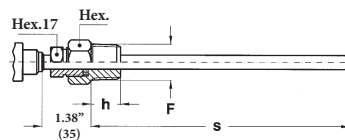
9 - Every-angle connection

DS	d	C	M	N
<b>F</b> 5"(125)	5.09" (129,2)	1.83" (46,5)	2.03" (51,5)	3.54" (90)

dimensions : inches (mm)



3 - Fixed male



9 - Sliding male and swivel nut

DS	F	Hex.	h
<b>D</b> 3" (80)	<b>23M</b> 1/4-18 NPT	0.87" (22)	0.67" (17)
<b>F</b> 5"(125)	<b>43M</b> 1/2-14 NPT	0.87" (22)	0.67" (17)

dimensions : inches (mm)

OPTIONS

DESCRIPTION	
<b>P00</b> - Glycerine fillable	(1)
<b>P01</b> - Silicone fillable	(1)
<b>R10</b> - Glycerine filling, max +320 °F (+160 °C)	(1)
<b>R11</b> - Silicone filling, max +482 °F (+250 °C)	(1)

(1) Protection degree: IP 67 as per EN 60529/IEC 529.

“HOW TO ORDER” SEQUENCE

Section / Model / Mounting / Connection type / Diameter / Range / Process connection / Bulb type and length / Options

6 TB9 4 3 D 43M 7C...7I P00...R11  
9 9 F 23M

