

**“ADCATROL” PNEUMATIC CONTROL VALVES
PV25 – ON-OFF
(V25 globe valves series with linear actuators PA series)**

DESCRIPTION

The PV25 On-Off valves are single seated, two-way body constructed with in-line straight connections. The PA pneumatic actuator is rubber diaphragm and multi-springs. Its action can be DA-direct action (air to close) or RA-reverse action (air to open).

Their wide application ranges allows to use this valve with the most common process fluids such as water, superheated water, steam, air, gas and other non corrosive fluids.

MAIN FEATURES

Single seated, two way, direct or reverse action valve. Valve top flange permanently attached to the body, removal is unnecessary for replacing the actuator. Soft sealing as standard.



OPTIONS: Air filter regulator
Top-work manual handwheel
Stainless steel construction.

USE: Saturated and superheated steam.
Hot and superheated water.
Air, gases and other noncorrosive fluids.

AVAILABLE

MODELS: PV25G-OF - SG iron
PV25I-OF - Stainless steel

VALVE SIZES: DN15 to DN100

CONNECTIONS: Flanged EN1092-1/-2 PN16

ACTUATORS: PA-205; PA-280; PA-340; PA-435

ACTUATOR

CONNECTION: 1/4" NPT-F

HOW TO SELECT:

Never size the valve according to the pipe diameter in which it has to be fitted but according to the required actual flow of steam or water. Refer to valve calculation data sheet or consult the factory.

VALVE BODY LIMITING CONDITIONS			
PV25G-OF		PV25I-OF	
Press.	Temp.	Press.	Temp.
16 bar	-10 / 120°C	16 bar	-10 / 100°C
15,5 bar	150°C	14,5 bar	150°C
14,7 bar	200°C	13,4 bar	200°C
13,9 bar	250°C	12,7 bar	250°C
12,8 bar	300°C	11,8 bar	300°C

MAX. AIR SUPPLY

PRESSURE: 3,5 bar

AMBIENT

TEMPERATURE: -20°C ...+70°C

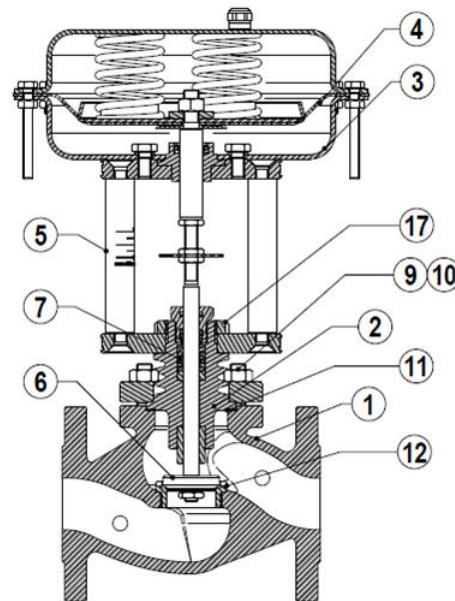
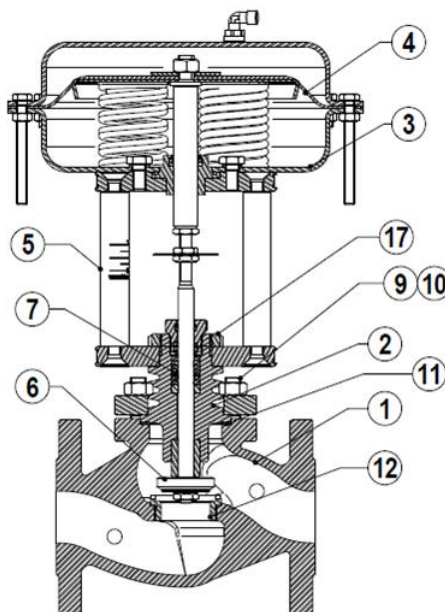
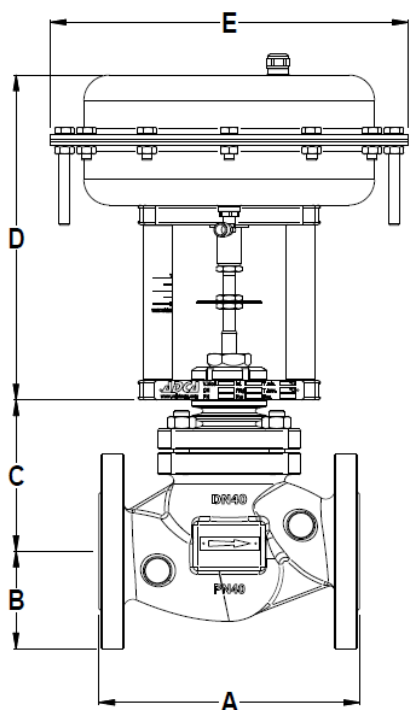
BONNET : From -5°C to +220°C (standard)
Finned for temperature >220°C (from DN32 to DN100)

STEM SEALING: PTFE/GR V-Rings - up to 220°C (Standard bonnet)

PLUG DESIGN: PT - On-off

PORT: Full port

CE MARKING (PED - European Directive 97/23/EC)	
PN 16	Category
DN15 to DN50	SEP - art. 3, paragraph3
DN65 to DN100	1 (CE Marked)



PV25 DA – Direct action

PV25 RA – Reverse action

DIMENSIONS - VALVE BODY				
DN	A (mm)	B (mm)	C (mm) BONNET	
			STD.	EXT.
15	130	48	85	150
20	150	53	85	150
25	160	58	85	150
32	180	70	107	167
40	200	75	115	175
50	230	83	125	185
65	290	93	175	278
80	310	100	175	278
100	350	110	185	288

DIMENSIONS - ACTUATOR			
Type	ø E (mm)	D (mm)	WEIGHT Kgs
		DN15-100 DA/RA	
PA-205	210	235	5,7
PA-280	275	240	8,8
PA-340	335	265	14,3
PA-435	430	295	24,5

MATERIALS			
POS.	DESIGNATION	MATERIAL PV25G-OF	MATERIAL PV25I-OF
1	Valve Body	GJS-400-15 / 0.7040	CF8M / 1.4408
2	Bonnet	CF8 / 1.4308	CF8 / 1.4308
3	Actuator (Steel)	S235JRG2 / 1.0038	S235JRG2 / 1.0038
	Actuator (St. steel)	AISI 304 / 1.4301	AISI 304 / 1.4301
4	Diaphragm	NBR 70	NBR 70
5	Yoke (Steel)	C45E / 1.1191	C45E / 1.1191
	Yoke (St. Steel)	AISI 304 / 1.4301	AISI 304 / 1.4301
6	Valve plug (Soft)	St. Steel / PTFE/GR	St. Steel / PTFE/GR
6	Valve plug (Metal)	AISI316 / 1.4401	AISI316 / 1.4401
7	Standard packing	PTFE/GR	PTFE/GR
9	Studs	34CrNiMo6 / 1.6582	A4 - 70
10	Nuts	Steel 8.8	A4 - 70
11	Gasket	St. Steel / Graphite	St. Steel / Graphite
12	Seat	AISI316 / 1.4401	AISI316 / 1.4401
17	Lock nut	St. Steel	St. Steel

ACTUATOR STROKE IN mm									
	SIZES								
	DN15	DN20	DN25	DN32	DN40	DN50	DN65	DN80	DN100
Stroke	5	5	7	8	10	13	17	20	25

FLOW RATE COEFFICIENTS									
	SIZES								
	DN15	DN20	DN25	DN32	DN40	DN50	DN65	DN80	DN100
Kvs	3,8	5,1	9,4	15,4	22,2	40,1	63,4	89,7	136,7

Kvs in m3/h , see data sheet IS PV10.00 E ; For conversion Kvs = Cv(US) x 0,855

sign and material of this product without notice.

MAX. PERMISSIBLE PRESS.DROP IN bar - Normally closed valve (fluid to open) - Reverse action actuator (air signal to open)										
ACTUATOR (Pressure)	MIN. AIR PRESSURE	SIZES								
		DN15	DN20	DN25	DN32	DN40	DN50	DN65	DN80	DN100
PA-205 (0 - 2,5 bar)	3,5 bar	12	12	9	6,5	4	—	—	—	—
PA-280A (0 - 2,5 bar)	3,5 bar	25	25	25	16	12	6,5	—	—	—
PA-280B (0 - 2,5 bar)	3,5 bar	—	—	—	—	—	—	5,7	4	2
PA-340A (0 - 2,5 bar)	3,5 bar	—	—	—	25	20	18	—	—	—
PA-340B (0 - 2,5 bar)	3,5 bar	—	—	—	—	—	—	6,2	5	3

For valve sizes DN125 and above please consult.
Special spring drops available on request.
The pressure drop values must be used within the body rating limits

MAX. PERMISSIBLE PRESS.DROP IN bar - Normally closed valve (fluid to close) - Reverse action actuator (air signal to open)										
ACTUATOR (Pressure)	MIN. AIR PRESSURE	SIZES								
		DN15	DN20	DN25	DN32	DN40	DN50	DN65	DN80	DN100
PA-205 (0 - 1 bar)	3,5 bar	25	25	25	25	25	15	—	—	—
PA-280B (0 - 1 bar)	3,5 bar	—	—	—	—	—	—	21	14	7
PA-340B (0 - 1 bar)	3,5 bar	—	—	—	—	—	—	25	19	12

Important: not recommended for water and other liquids if fluid direction is over the plug (fluid to close).
The pressure drop values are referred to closed valves.

MAX. PERMISSIBLE PRESS.DROP IN bar - Normally open valve (fluid to open) - Direct action actuator (air signal to close)										
ACTUATOR (Pressure)	MIN. AIR PRESSURE	SIZES								
		DN15	DN20	DN25	DN32	DN40	DN50	DN65	DN80	DN100
PA-205 (0 - 1 bar)	3,5 bar	25	25	25	25	17	14,5	—	—	—
PA-280A (0 - 1 bar)	3,5 bar	—	—	—	—	25	24	—	—	—
PA-280B (0 - 1 bar)	3,5 bar	—	—	—	—	—	—	13	7,5	4
PA-340B (0 - 1 bar)	3,5 bar	—	—	—	—	—	—	25	16	10

For valve sizes DN125 and above please consult.
The actuator pressure drops given with closed valve, are obtained with the following air pressures supply:
Actuator signal 0,2 to 1 bar :air supply 3,5 bar
Special spring drops available on request.
The pressure drop values must be used within the body rating limits.
For electric actuator selection please consult catalogue IS EL.20.00 E or our technical department.



ORDERING CODES V25/OF

VALVE CODES		V	.25	G						.X.
Actuator Type (1)										
Pneumatic Actuator	P									
Electric Actuator	E									
Group Designation										
Globe valve, two way, straight body	V									
Valve Model										
Class PN16, GJS-400-15 body, stainless steel trim	.25	G								
Class PN16, CF8M body, stainless steel trim	.25	I								
Stem Sealing										
PTFE/GR-V-Rings / Standard bonnet										1
Virgin PTFE V-Rings / Standard bonnet										2
Graphite / Standard bonnet										3
Graphite / Finned bonnet										4
Valve Plug										
PT (on-off) - Soft (PTFE/GR)										9
PT (on-off) - Metal AISI 316 / 1.4401										10
Pipe Connection										
Flanged EN1092-2 PN16										L
Size										
DN15										15
DN20										20
...										
Actuator										(1)
Extras (3)										E

ACTUATOR CODES (pneumatic)		P.				
Group Designation						
Multi-spring , pneumatic linear actuator	P.					
Actuator Size						
205						1
280						3
340 A - From DN15 to DN50						5
340 B - From DN65 to DN100						6
435 A - From DN15 to DN50						7
435 B - From DN65 to DN100						8
Actuator						
Direct Action						D
Reverse Action						R
Actuator Construction						
Steel construction (painted) - standard						(2)
Stainless steel construction						I
Control Signal						
0,2 - 1 bar (3/15 psi)						15
0,4 - 1,2 bar (6/18 psi)						18
0,4 - 2 bar (6/30 psi)						30

To be introduced on ".X.", if supplied in combination with the valve.

Example:

V25G valve model PT soft plug, PTFE/GR stem sealing DN50 complete with reverse action actuator signal 0,4-1,2bar, size340A steel.

Code: PV.25G.19L50.5R18

REMARKS:

- (1)- Indicate actuator type.
 - (2)- Omitted if the standard actuator is selected.
 - (3)- To be used only when a non-standard combination valve is supplied.
- ADCATROL control valves are identified by a serial number on a nameplate, located on the actuator yoke.
- Always order spares by using that serial number. If the valve has non-standard extras the serial number has also an E (extras).